

Ladder Tray

General Description

The DCS Ladder Tray System was developed for use in commercial and industrial applications where the installer demands a cost efficient site adaptable cable management system. One that can offer enough strength and durability to carry light to heavier duty cabling whilst maintaining an economical support span to minimise support steelwork costs.

Material and Finish

The finished product is constructed from 0.75 mm thick base material with finish options of:

1. Stock Galvabond for internal use.
2. Mild Steel with a post-production Hot Dip Galvanised finish for external use or to suit some demanding internal conditions.

Tray Loading Capacity Options

There are three DCS Ladder tray options to suit your particular project. Starting from our KT2 which has its own individual base pattern and lower side profile, so giving a versatile tray to suit tight installation areas. The KT3 and KT5 both have identical base patterns but increased tray depths give increased loading capacity. For details of all loading and deflections please refer to our catalogue graphs.

System options are:

KT2 Ladder Tray System - 45mm high sided tray 40 mm usable depth. Light Duty

KT3 Ladder Tray System - 50mm high sided tray 45 mm usable depth. Medium Duty

KT5 Ladder Tray System - 85mm high sided tray 80 mm usable depth. Heavy Duty

Tray Features and Options

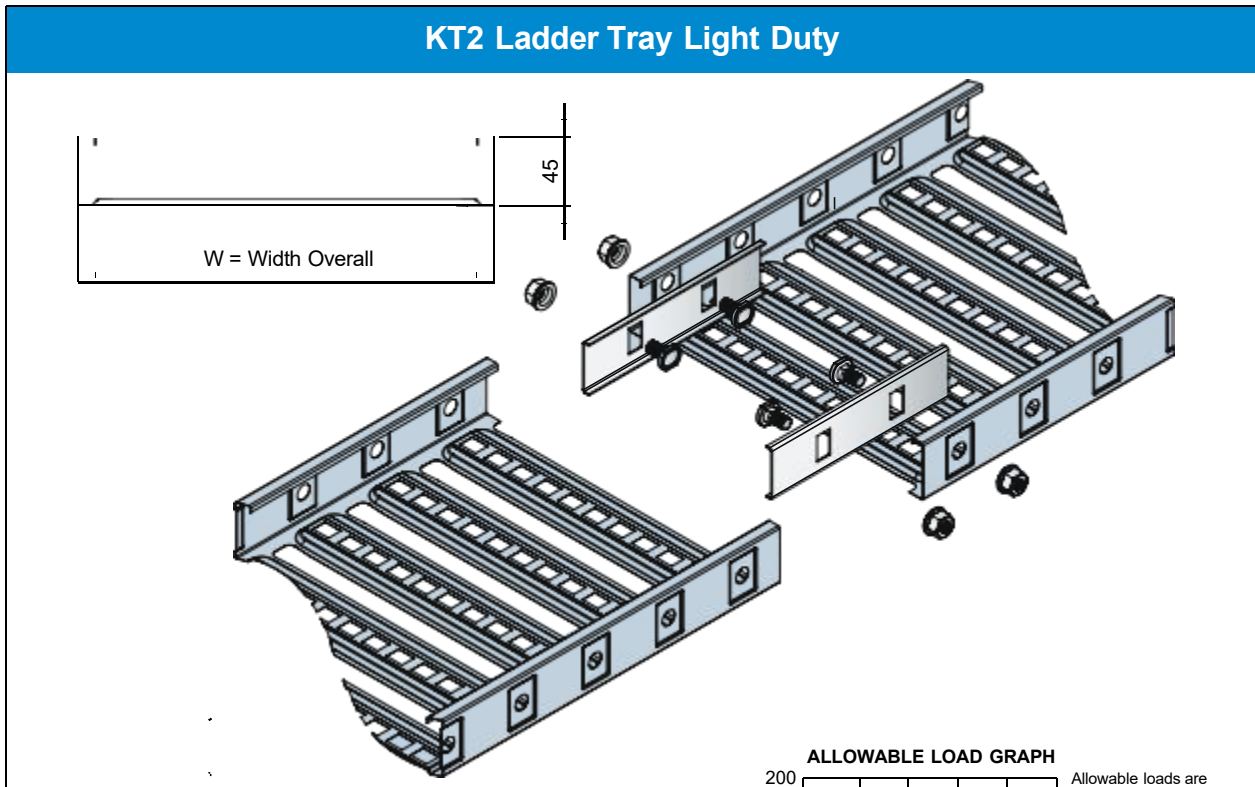
All of the trays feature the following features or options:

- 3m lengths.
- Kit parts and fixings to give site fabricated direction changes, junctions or size changes.
- Perforated tie off points at 20mm continuous centres enabling maximum use of the tray width as well as offering superior ventilation.
- Drain holes to aid the dissipation of moisture in external applications.
- Straight Flat or Peak Type covers to suit.
- Barrier Strip for multiple service segregation available.
- A full range of pre-fabricated light or heavy trapeze supports.
- Powder coat finish to suit clients specified colour or to Kounis standard colour range.

DCS Standard Colour Range

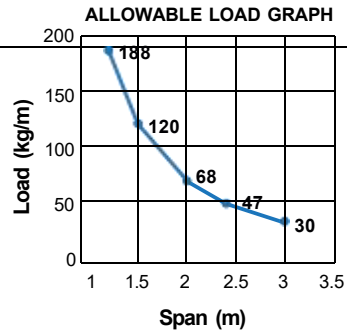
Optional Polyester Powder Coat finishes can be provided from our standard stock colours. Our range is White, Black, Orange and Grey Hammerstone. Other colours or epoxy powder coat finish can be provided to firm orders.

KT2 Ladder Tray Light Duty

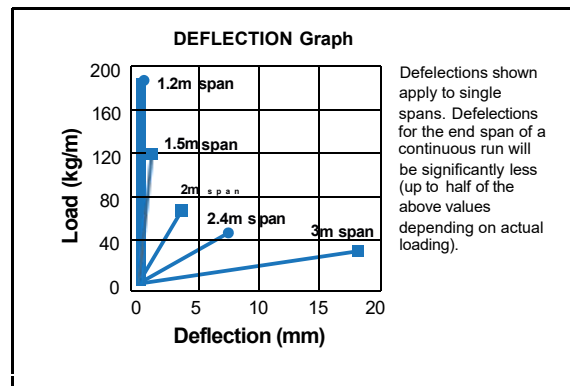


Specification

Class Designation:	Cable ladder tray Light Duty Type KT2
Material:	Steel sheet.
Finish:	Standard Galvabond other finishes to firm orders.
Side Depth:	45 mm high sided tray.
Stock Length:	3000 mm standard, joining together by a pair of bolt on splice plates supplied separately.
Stock Widths:	150 mm, 300 mm, 450 mm & 600 mm standard widths.
Fittings:	A full range of ancillaries are available to site manufacture fittings e.g. bend, risers, tees, crosses & reducers.
Radius:	Formed on site to suit requirements with a minimum 300 mm radius.
Accessories:	Flat or peak covers available for trays lengths, Barrier strips and support brackets.



Allowable loads are determined generally in accordance with NEMA requirements and verified by testing. Safety factor = 1.5 over collapse load for single span.



Deflections shown apply to single spans. Deflections for the end span of a continuous run will be significantly less (up to half of the above values depending on actual loading).

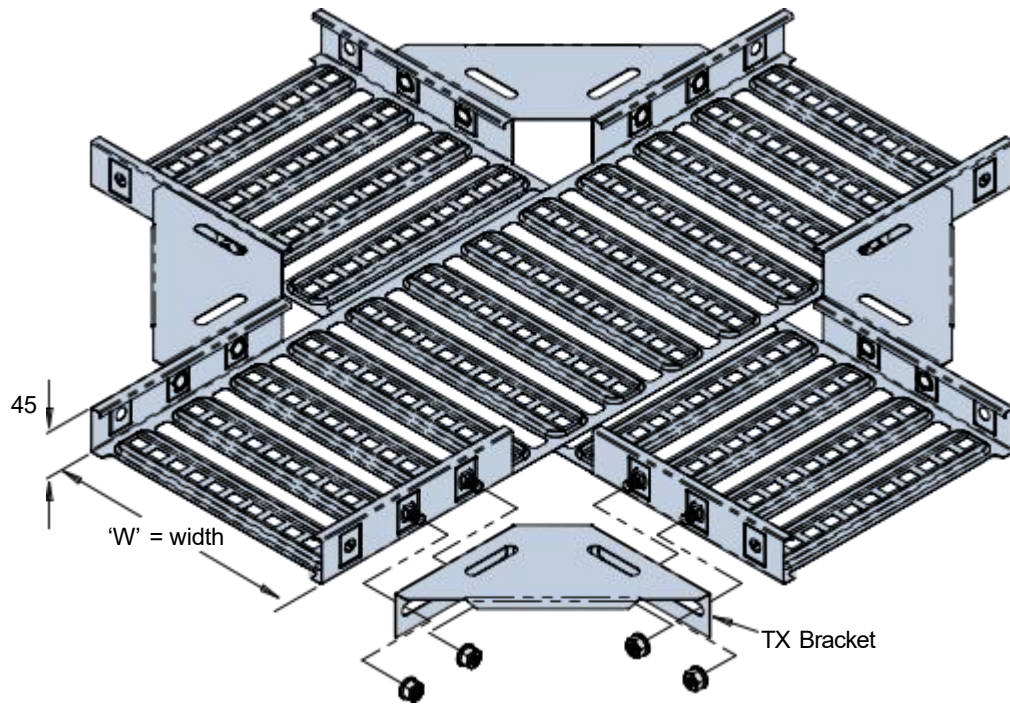
When Ordering

Range	Type	Wide	Std.Finish	Fastenings	Finish
KT	2	15	G	K	PC-COL
KT = Ladder Tray	2 = 45 mm High Side Light Duty	15 = 150 mm 30 = 300 mm 45 = 450 mm 60 = 600 mm	G = Galvanised H = Hot Dip Galvanised	K = includes all Splice Plates, Bolts and Nuts Standard Zinc Plate or Galvanised	PC-COL = paint Painted finish to Kounis standard colour range

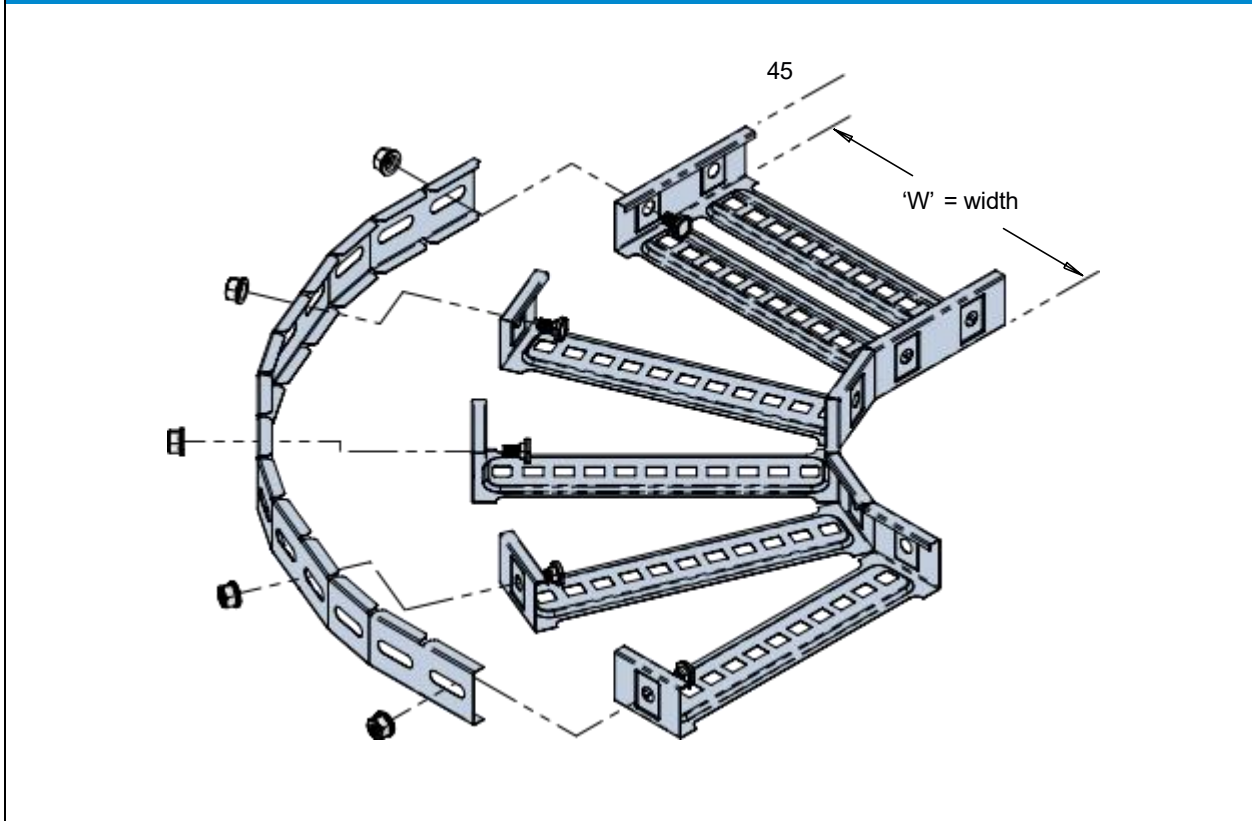
ORDERING EXAMPLE SHOWN: Ladder Tray KT2 Light Duty 45 mm high 150 mm wide Galvabond c/w Splice plates, Bolts and Nuts. Painted Finish to specification colour.

KT2 Ladder Tray Light Duty Assembly Instructions

Cross

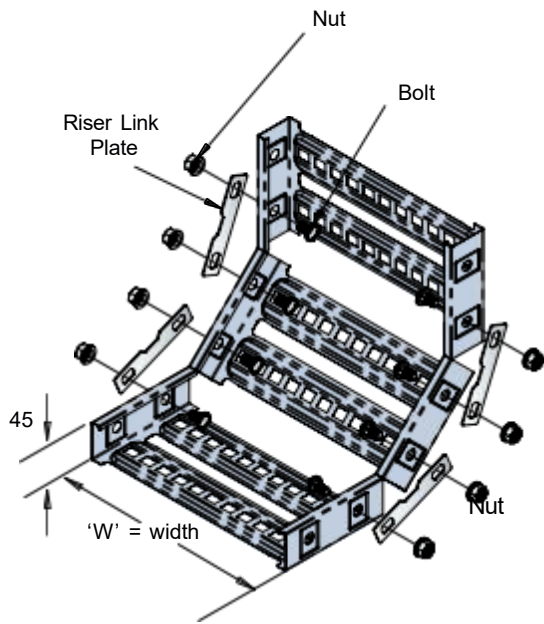


Bend

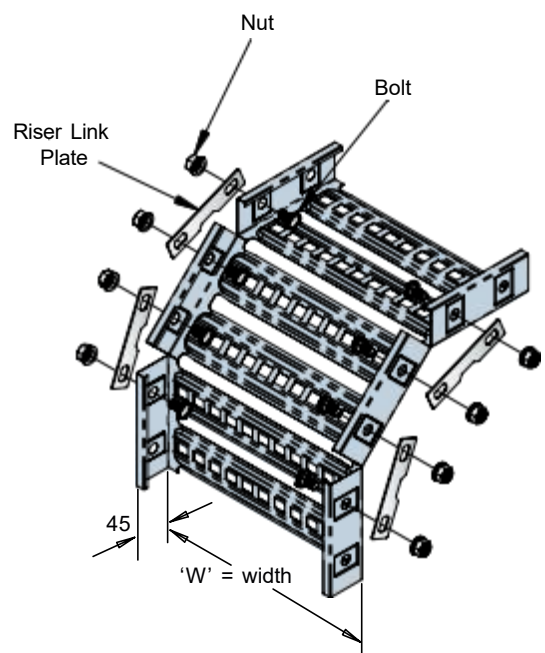


KT2 Ladder Tray Light Duty Assembly Instructions

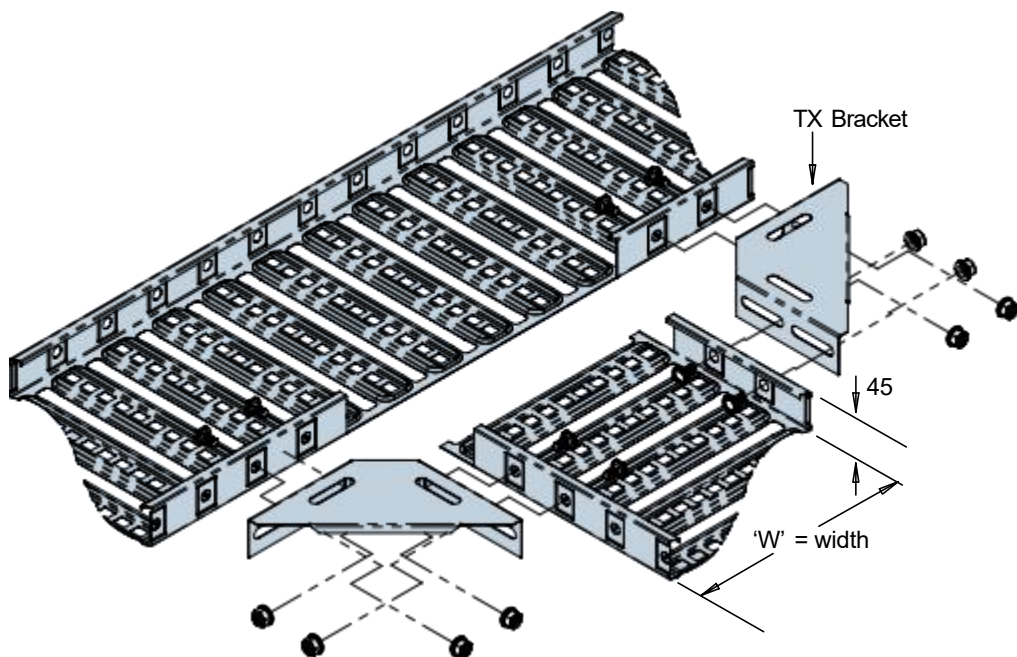
Internal Riser



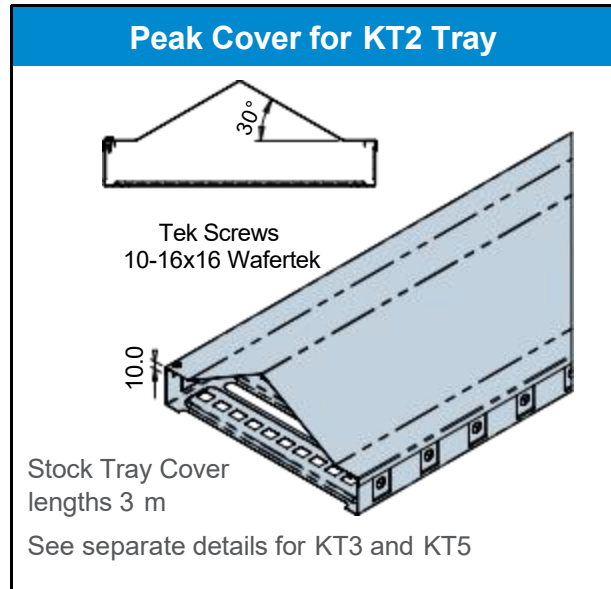
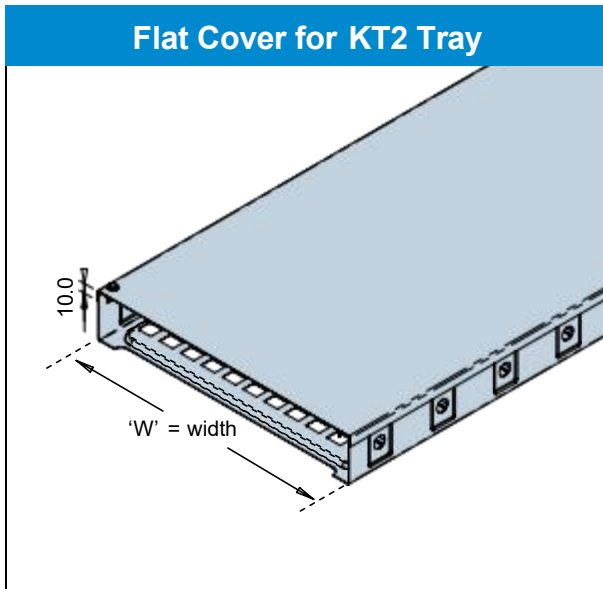
External Riser



Tee



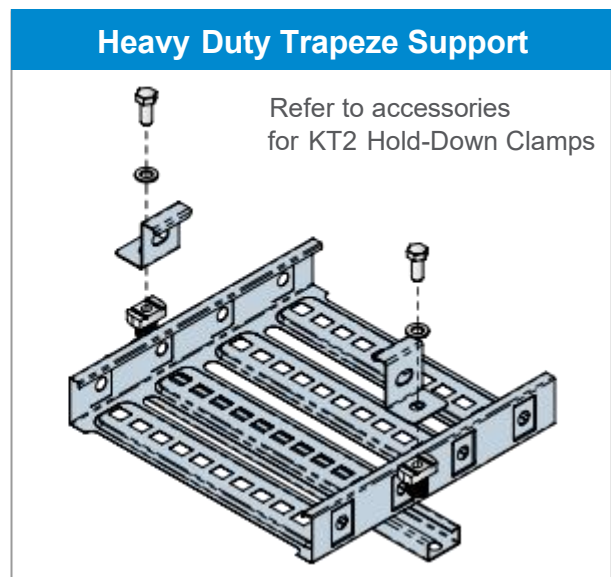
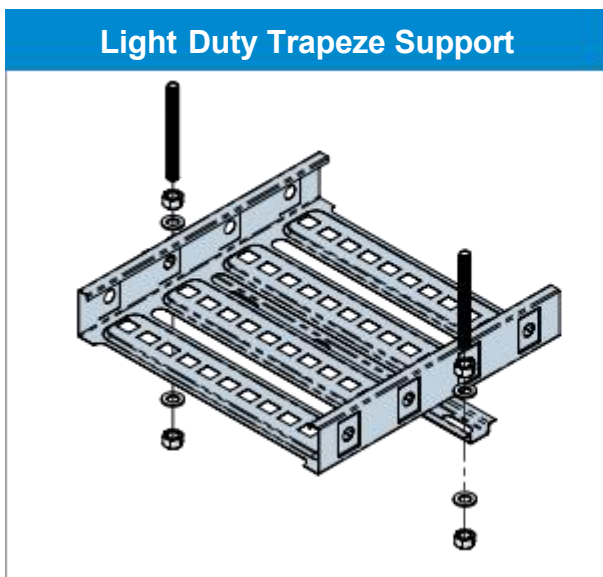
KT2 Ladder Tray Covers and Trapeze Supports



When Ordering

Range	Type	Wide	Std. Finish	Fastening	Finish
KT2 KT2 = KT2 Ladder Tray	FC FC = Flat Cover PC = Peak Cover	15 15 = 150 mm 30 = 300 mm 45 = 450 mm 60 = 600 mm	G G = Galvabond Thk.0.75 mm H = Hot Dip Galvanised Thk. 1.0 mm 150-300W Thk. 1.2 mm 450-600W	Tek Screw fixings can be supplied separately	PC-COL PC-COL = Paint Painted finish to Kounis standard colour range

ORDERING EXAMPLE SHOWN: Ladder Tray KT2 Flat Cover 150 mm wide Galvabond Painted finish
Painted Finish to specification colour.



When Ordering

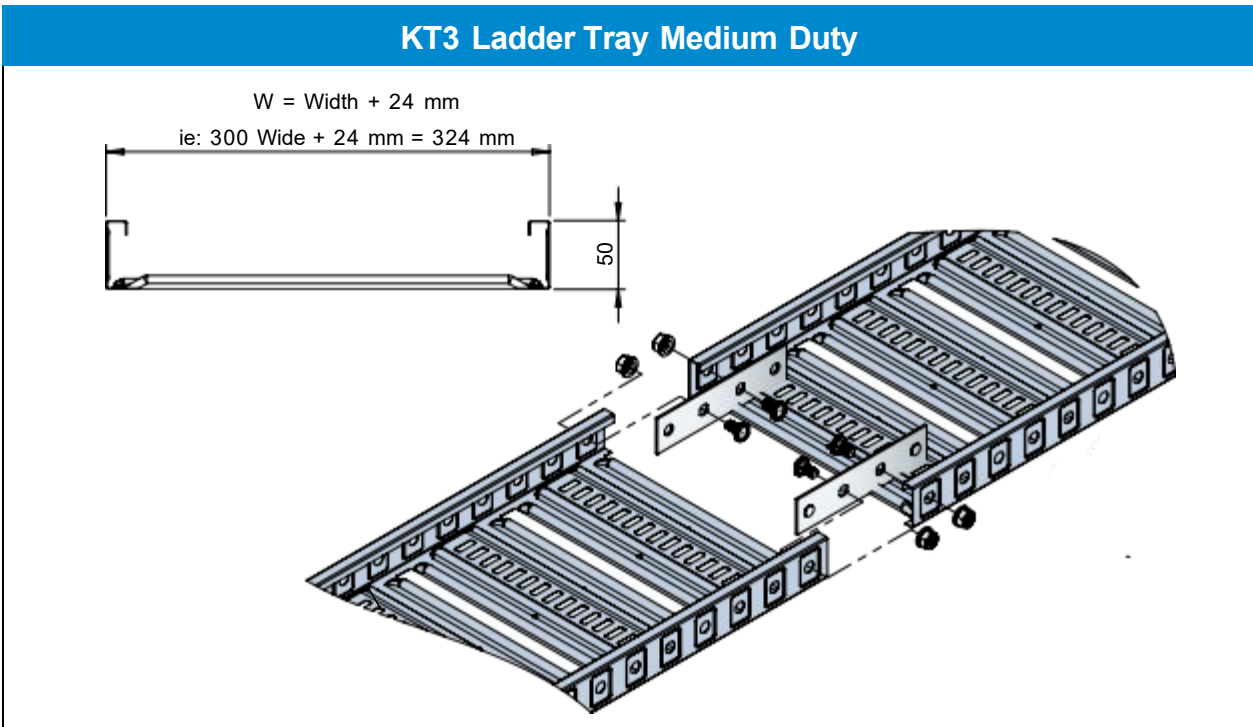
Range	Type	Wide	Finish
K K = Ladder Tray Brackets	LTS LTS = Light Duty Supports HTS = Heavy Duty Supports	15 15 = 150 mm 30 = 300 mm 45 = 450 mm 60 = 600 mm	G G = Galvabond H = Hot Dip Galvanised Z = Zinc Plated

NOTE: Recommended for KT2 Ladder Tray

ORDERING EXAMPLE SHOWN: Ladder Tray Light Duty Support 150 mm wide Galvabond finish.

Note: Recommended M10 hanger drop rods and fastenings. Please refer to our K-Strut and fixings section for a full range to suit your particular installation.

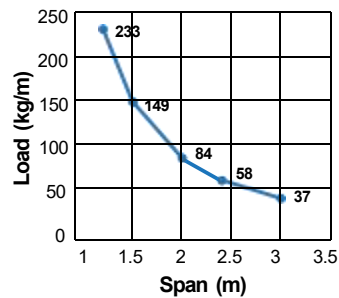
KT3 Ladder Tray Medium Duty



Specification

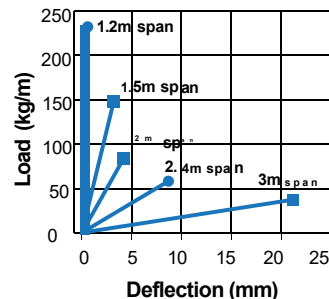
Class Designation:	Cable ladder tray Medium Duty Type KT3
Material:	Steel sheet.
Finish:	Standard Galvabond other finishes to firm orders.
Side Depth:	50 mm high sided tray.
Stock Length:	3000 mm standard, joining together by a pair of bolt on splice plates supplied separately.
Stock Widths:	150 mm, 300 mm, 450 mm & 600 mm standard widths.
Fittings:	A full range of ancillaries are available to site manufacture fittings e.g. bend, risers, tees, crosses & reducers.
Radius:	Formed on site to suit requirements with a minimum 300 mm radius.
Accessories:	Flat or peak covers available for trays lengths, Barrier strips and support brackets.

ALLOWABLE LOAD GRAPH



Allowable loads are determined generally in accordance with NEMA requirements and verified by testing. Safety factor = 1.5 over collapse load for single span.

DEFLECTION GRAPH



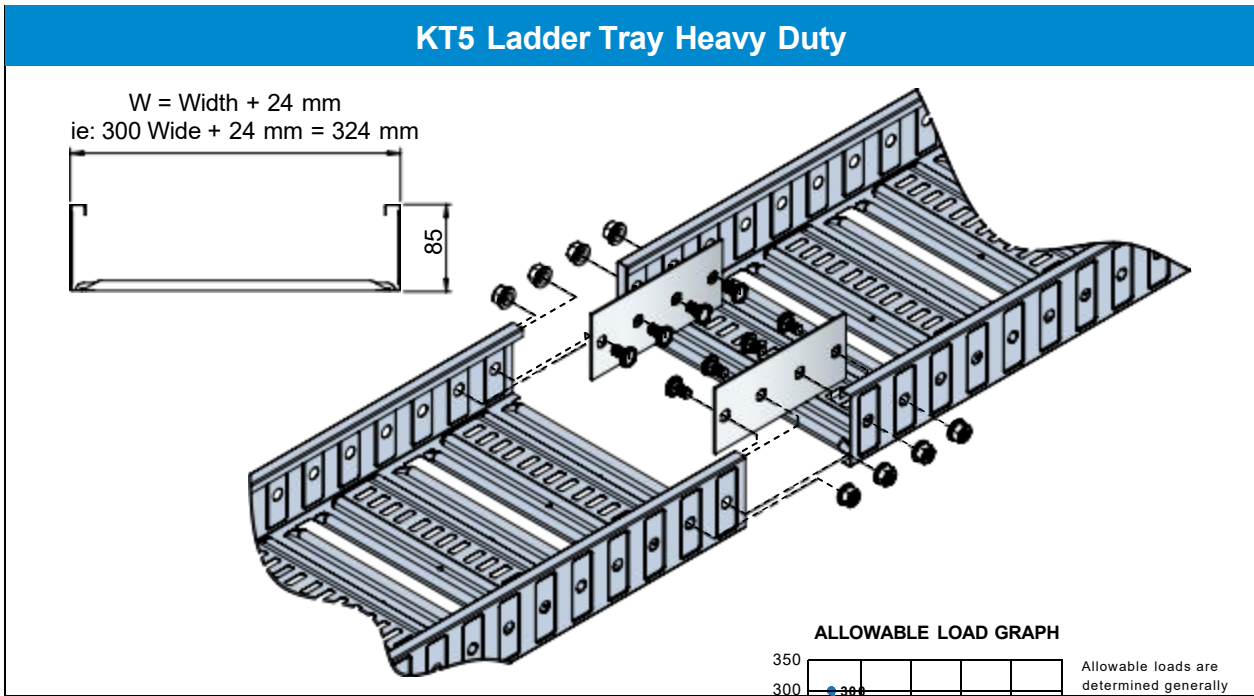
Deflections shown apply to single spans. Deflections for the end span of a continuous run will be significantly less (up to half of the above values depending on actual loading).

When Ordering

Range	Type	Wide	Std.Finish	Fastenings	Finish
KT KT = Ladder Tray	3 3 = 50 mm High Side Medium Duty	15 15 = 150 mm 30 = 300 mm 45 = 450 mm 60 = 600 mm	G G = Galvanised H = Hot Dip Galvanised	K K = includes all Splice Plates, Bolts and Nuts Standard Zinc Plate or Galvanised	PC-COL PC-COL = paint Painted finish to Kounis standard colour range

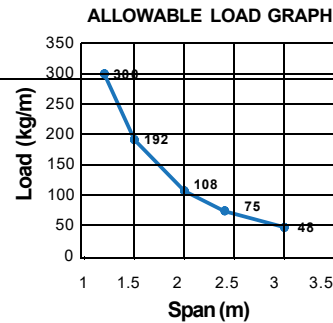
ORDERING EXAMPLE SHOWN: Ladder Tray KT3 Medium Duty 50 mm high 150 mm wide Galvabond c/w Splice plates, Bolts and Nuts Painted Finish to specification colour.

KT5 Ladder Tray Heavy Duty

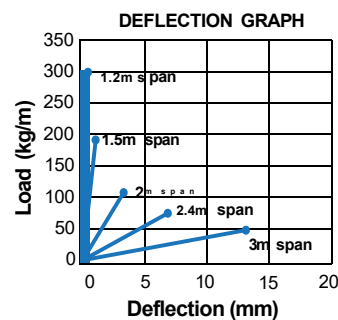


Specification

Class Designation:	Cable ladder tray Heavy Duty Type KT5
Material:	Steel sheet.
Finish:	Standard Galvabond other finishes to firm orders.
Side Depth:	85 mm high sided tray.
Stock Length:	3000 mm standard, joining together by a pair of bolt on splice plates supplied separately.
Stock Widths:	150 mm, 300 mm, 450 mm & 600 mm standard widths.
Fittings:	A full range of ancillaries are available to site manufacture fittings e.g. bend, risers, tees, crosses & reducers.
Radius:	Formed on site to suit requirements with a minimum 300 mm radius.
Accessories:	Flat or peak covers available for trays lengths, Barrier strips and support brackets.



Allowable loads are determined generally in accordance with NEMA requirements and verified by testing. Safety factor = 1.5 over collapse load for single span.



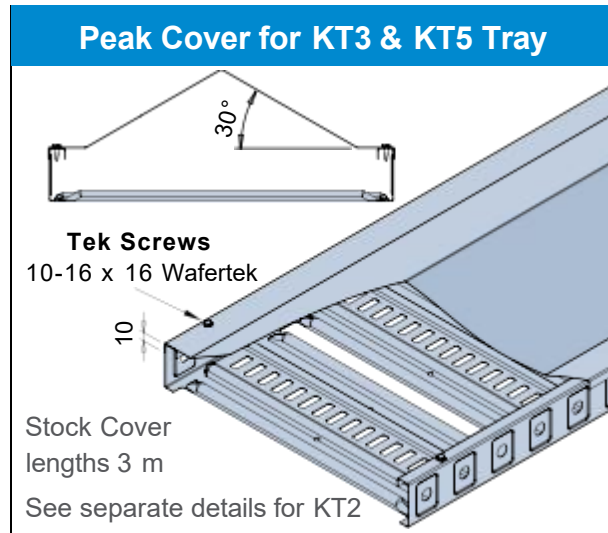
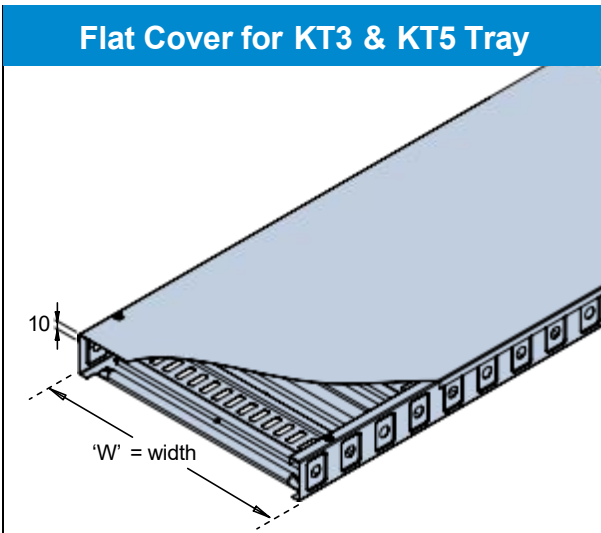
Deflections shown apply to single spans. Deflections for the end span of a continuous run will be significantly less (up to half of the above values depending on actual loading).

When Ordering

Range	Type	Wide	Std. Finish	Fastenings	Finish
KT	5	15	G	K	PC-COL
KT = Ladder Tray	5 = 85 mm High Side Heavy Duty	15 = 150 mm 30 = 300 mm 45 = 450 mm 60 = 600 mm	G = Galvabond H = Hot Dip Galvanised	K = Includes all Splice Plates, Bolts and nuts Standard Zinc Plate or Galvanised	PC-COL = Paint Painted finish to Kounis standard colour range

ORDERING EXAMPLE SHOWN: Ladder Tray KT5 Heavy Duty 85 mm high 150 mm wide Galvabond c/w Splice plates, Bolts and Nuts Painted Finish to specification colour.

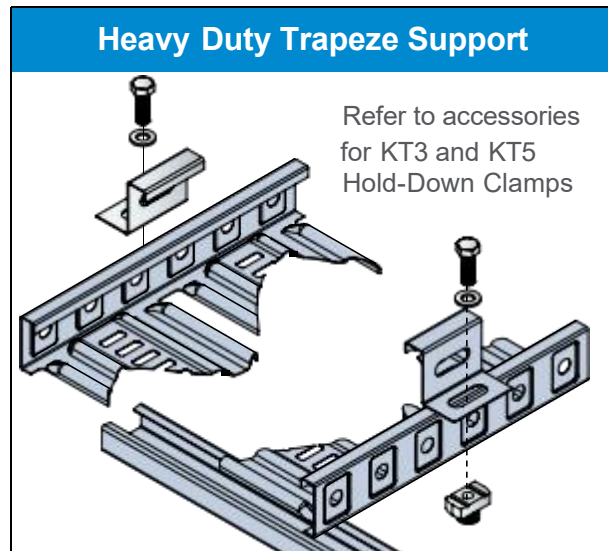
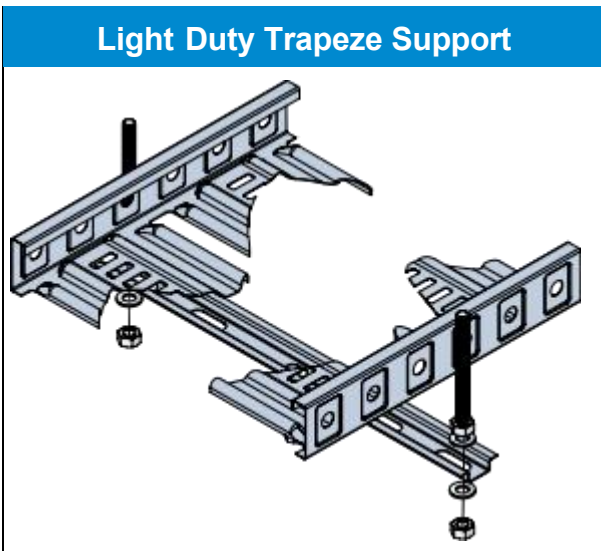
KT3 and KT5 Ladder Tray Covers and Trapeze Supports



When Ordering

Range	Type	Wide	Std.Finish	Fastening	Finish
KT	FC	15	G		PC-COL
KT = Ladder Tray	FC = Flat Cover PC = Peak Cover	15 = 150 mm 30 = 300 mm 45 = 450 mm 60 = 600 mm	G = Galvabond Thk.0.75 mm H = Hot Dip Galvanised Thk. 1.0 mm 150-300W Thk. 1.2 mm 450-600W	Tek Screw fixings can be supplied separately	PC-COL = Paint Painted finish to Kounis standard colour range

ORDERING EXAMPLE SHOWN: Ladder Tray Flat Cover 150mm wide Galvabond finish. Painted Finish to specification colour



When Ordering

Range	Type	Wide	Finish
K	LTS	15	G
K = Ladder Tray Brackets	LTS = Light Duty Supports HTS = Heavy Duty Supports	15 = 150 mm 30 = 300 mm 45 = 450 mm 60 = 600 mm	G = Galvabond H = Hot Dip Galvanised Z = Zinc Plated

NOTE: Recommended both KT3 and KT5

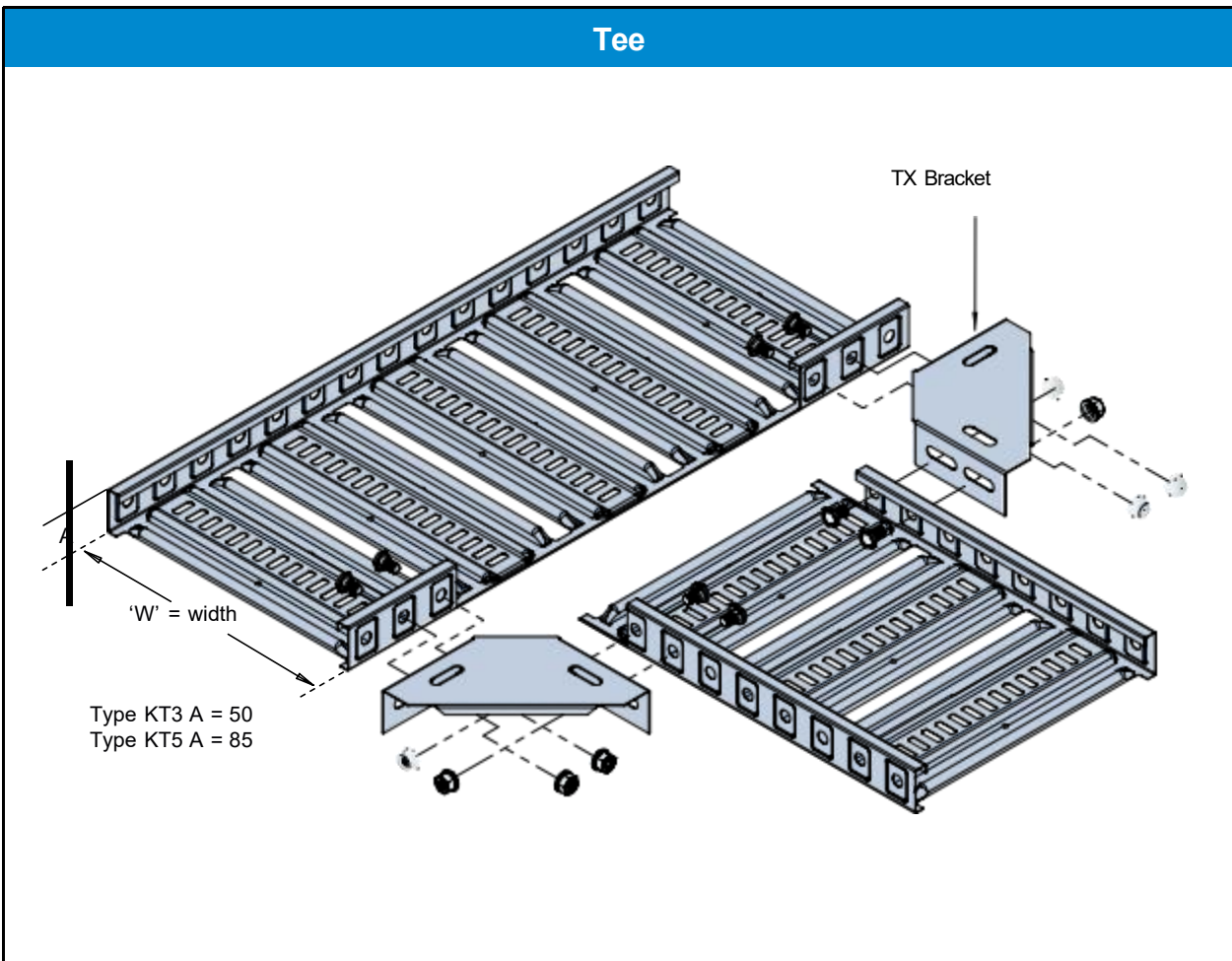
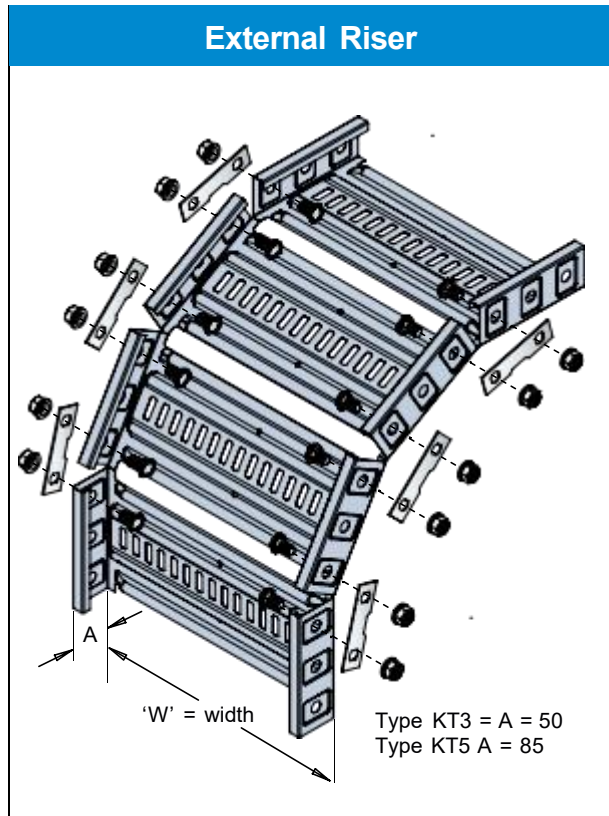
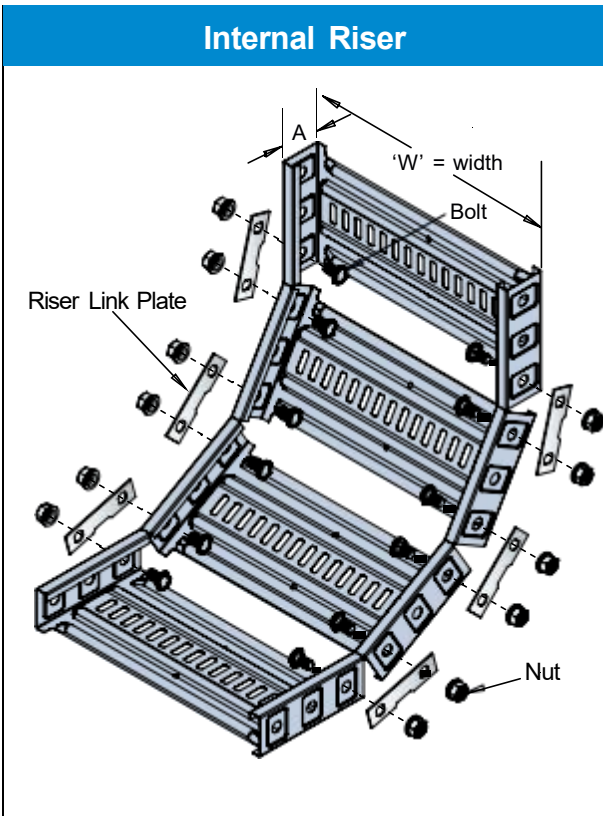
ORDERING EXAMPLE SHOWN: Ladder Tray Light Duty Support 150 mm wide Galvabond finish.

Note: Recommended M10 hanger drop rods and fastenings. Please refer to our K-Strut and fixings section for a full range to suit your particular installation.

QTY. OF BENDS FROM 3 m LENGTH RADIUS PLATE	
WIDTH	BEND 90°
150 mm	4 per Length
300 mm	3 per Length
450 mm	2 per Length
600 mm	2 per Length

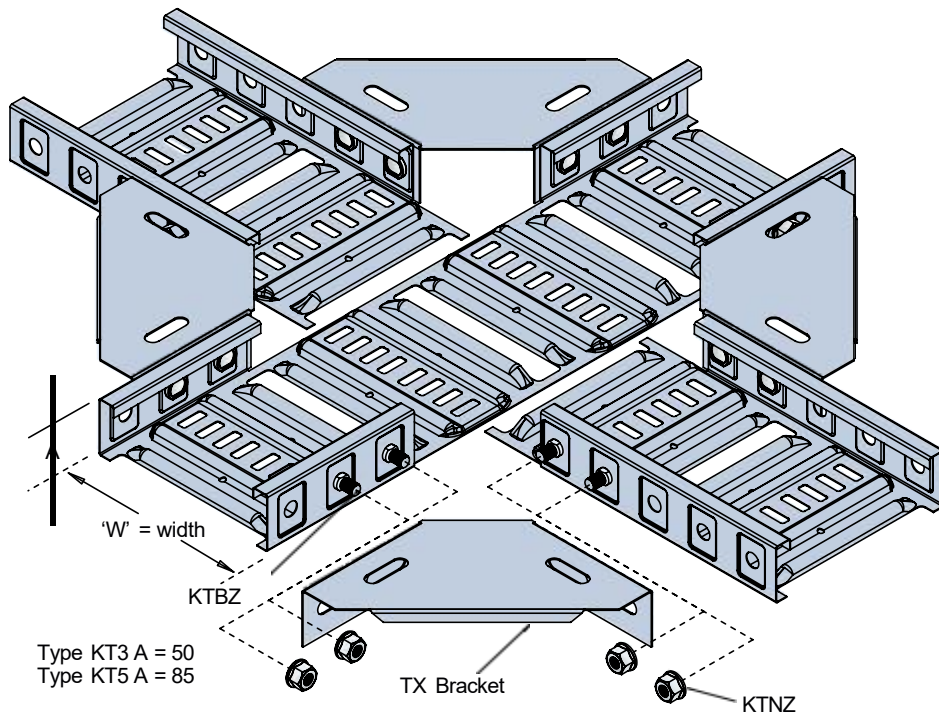
QTY. OF FITTINGS FROM 3 m TRAY LENGTH			
WIDTH	BEND 90°	RISER 90°	TEES
150 mm	5	5	4
300 mm	5	5	3
450 mm	5	5	2
600 mm	5	5	2

Ladder Tray Assembly Instructions

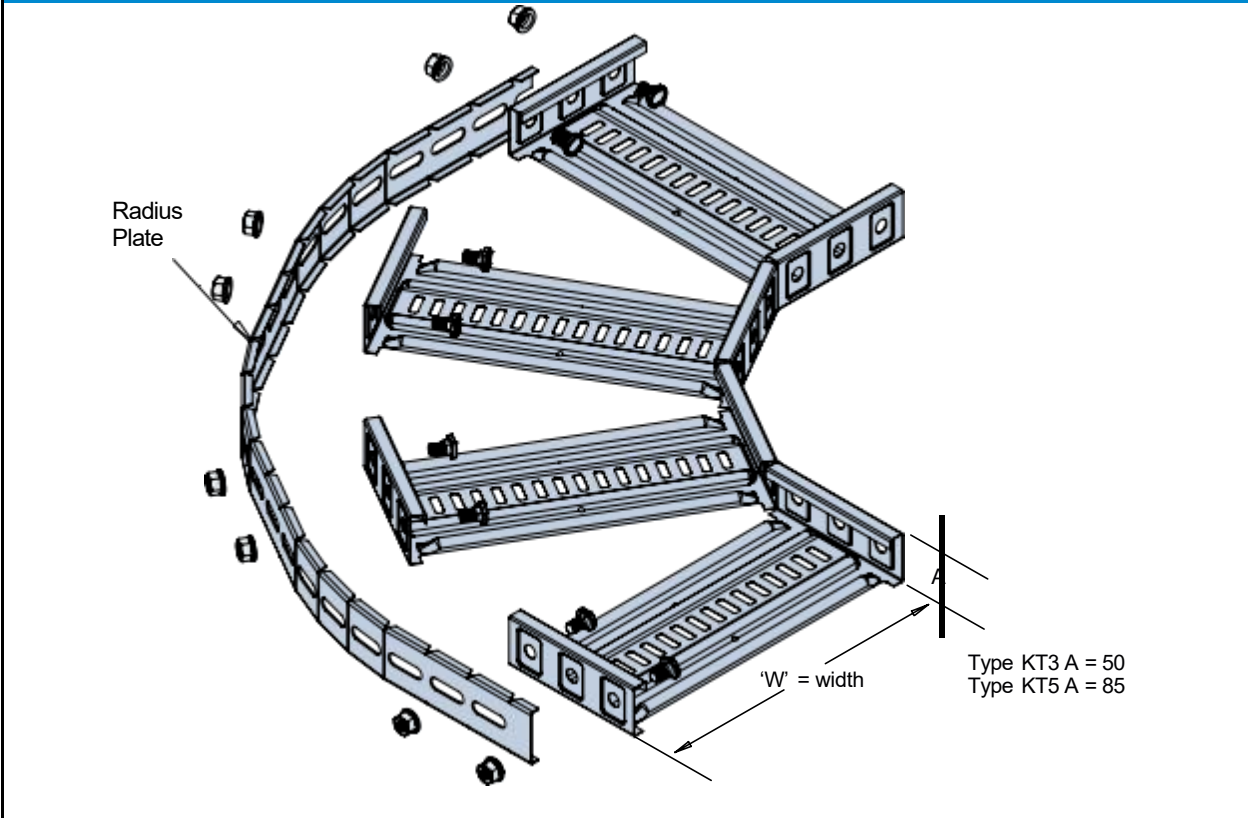


Ladder Tray Assembly Instructions

Cross



Bend

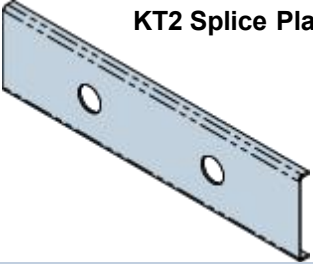


NOTE: KT3 and KT5 plates and brackets are not interchangeable.

Ladder Tray Accessories

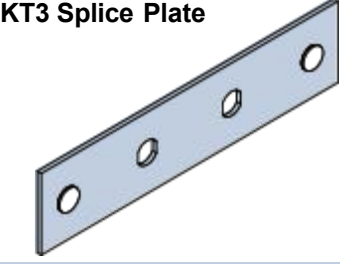
Ladder Tray Accessories

KT2 Splice Plate



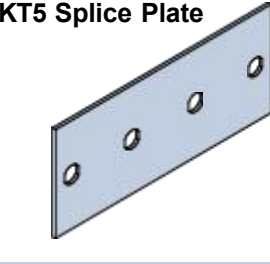
CODE: KT2SP

KT3 Splice Plate




CODE: KT3SP

KT5 Splice Plate



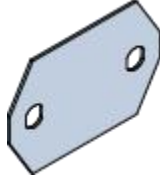
CODE: KT5SP

**KT2 Riser Link
KT3 Riser Link**



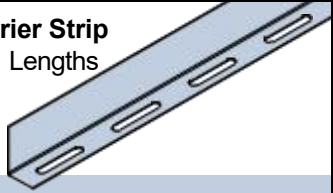
CODE: KT2LP
CODE: KT3LP

KT5 Riser Link



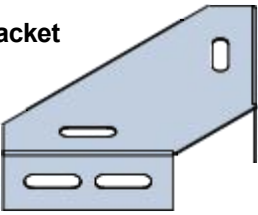
CODE: KT5LP

**Barrier Strip
3 m Lengths**



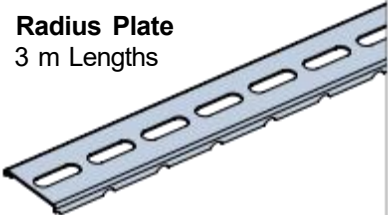
CODE: KT2BS
CODE: KT3BS
CODE: KT5BS

TX Bracket



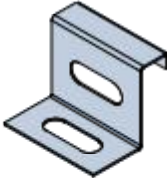
CODE: KT2TX
CODE: KT3TX
CODE: KT5TX

**Radius Plate
3 m Lengths**



CODE: KT2RP
CODE: KT3RP
CODE: KT5RP

Hold Down Clamp




CODE: KT2HDC
CODE: KT3HDC
CODE: KT5HDC

Tray Whizz Nut



CODE: KTN

Tray Bolt



CODE: KTB

When Ordering

Range	Type	Accessories	Std.Finish	Fastenings	Finish
KT KT = Ladder Tray	2 2 = 45 mm High Side Light Duty 3 = 50 mm High Side Medium Duty 5 = 85 mm High Side Heavy Duty	SP SP = Splice Plate HDC = Hold Down Clamp LP = Link Plate BS = Barrier Strip TX = Tee/Cross Bracket RP = Radius Plate B = Tray Bolt N = Tray Nut	G G = Galvabond H = Hot Dip Galvanised Z = Zinc Plated	NOTE: Tray Bolt and Tray Nuts are supplied separately Standard Zinc Plate or Galvanised	PC-COL PC-COL = Paint Painted Finish to Kounis standard colour range

ORDERING EXAMPLE SHOWN: Ladder Tray KT2 Light Duty 45 mm high Splice Plates Galvabond Painted Finish to specification colour.